

**RIOSE**

**Two-Piece Toilet, EL**

C-3150 Bowl, T-3150 Tank

**Product Features**

- Vitreous china two-piece toilet
- Chair-height (16-1/2"), elongated bowl
- MicroGlaze™ anti-microbial, non-staining glaze
- 12" (305 mm) rough-in

**EcoQUATTRO™ Flushing System**

- High-performance, gravity flush
- 1.28 gallons (4.8 liters) per flush – EPA WaterSense, high-efficiency toilet (HET)
- Fully-glazed, 2-1/8" internal trapway
- Oversized 3" flush valve
- Large 9" x 7" water surface area and optimized rim jets, for an exceptionally clean bowl

**Accessories Included**

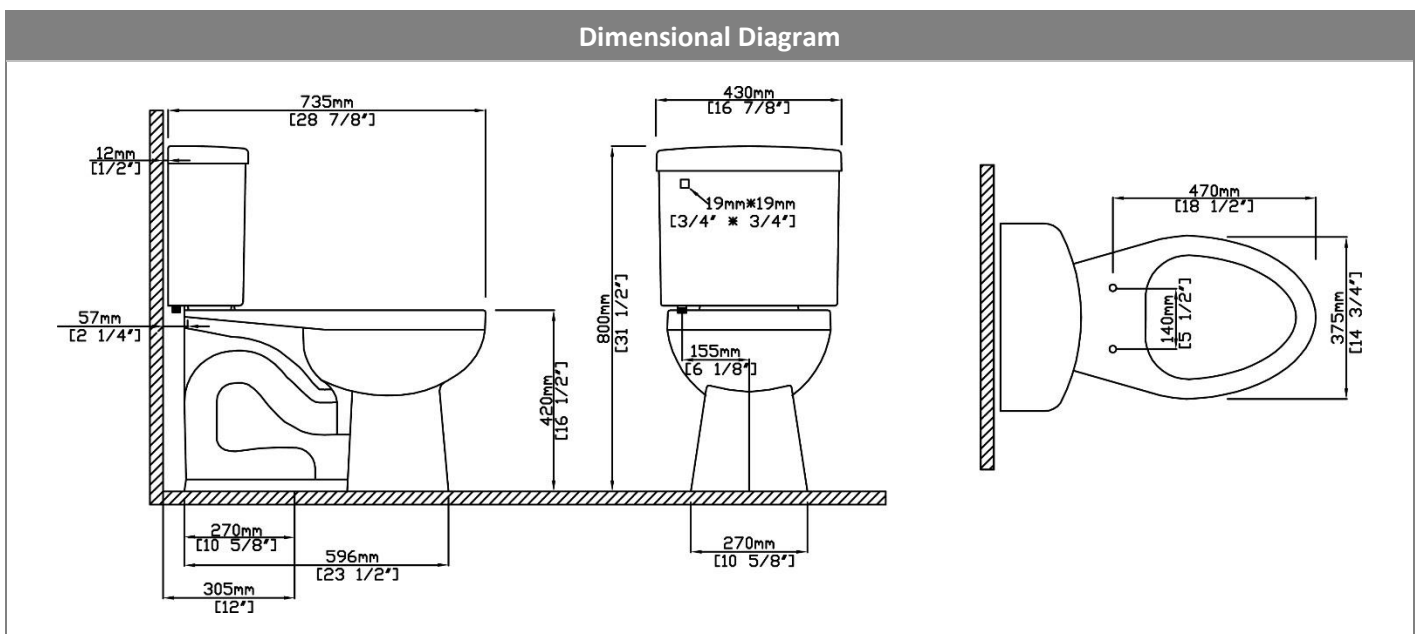
- Toilet seat and cover, with slow-close hinges
- Solid metal trip lever

**Quality Assurance**

- Factory flush-tested
- Limited lifetime product warranty



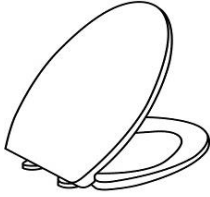
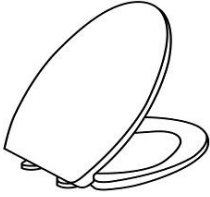
**Dimensional Diagram**



**IMPORTANT:** Dimensions are nominal and may vary within the range of tolerance per by NSI Standard A112.19.2. These measurements are subject to change. No responsibility is assumed for use of superseded or voided pages.

**PRODUCT OPTIONS & PARTS**

Glaze Colors		
 <b>.01 White</b>	 <b>.06 Biscuit</b>	

Toilet Seats		
 <b>S-242 (Standard)</b>	 <b>s-241</b>	

Tank Levers & Available Finishes					
 <b>F-63 (Standard)</b>		 <b>F-65</b>		 <b>F-66</b>	
<b>.500</b> Chrome (Standard) <b>.502</b> Polished Nickel <b>.503</b> Satin Nickel		<b>.504</b> Polished Brass <b>.508</b> Venetian Bronze <b>.01</b> White Enamel		<b>.500</b> Chrome (Standard)	
 <b>.500</b> Polished Chrome	 <b>.502</b> Polished Nickel	 <b>.503</b> Satin Nickel	 <b>.504</b> Polished Brass	 <b>.508</b> Venetian Bronze	 <b>.01</b> White Enamel

Valve & Installation Parts				
<b>Fill Valve</b>	<b>Flush Valve</b>	<b>Flapper</b>	<b>Tank-to-Bowl Kit</b>	<b>Mounting Bolts</b>
VL-3802	VH-4802.13	9400.516.00	9400.513.00	MB-111

Compliance Certifications	
<p><i>Meets or exceeds the following specifications:</i></p> <ul style="list-style-type: none"> <li>ASME A112.19.2M</li> <li>CSA B45.1</li> </ul>	 <p><b>Meets the Americans With Disabilities Act guidelines and ANSI A117.1 requirements for accessible building facilities. Check local codes.</b></p>