

### CADENCE

#### One-Piece Toilet

C-6270

#### Product Features

- Vitreous china one-piece toilet, with skirted trapway
- Chair-height (16-1/2"), elongated bowl
- MicroGlaze™ anti-microbial, non-staining glaze
- 12" (305 mm) rough-in

#### EcoQUATTRO™ Flushing System

- High-performance, gravity flush
- 1.28 gallons (4.8 liters) per flush – EPA WaterSense, high-efficiency toilet (HET)
- Fully-glazed, 2-1/8" internal trapway
- Oversized 3" flush valve
- Large 9" x 7" water surface area and optimized rim jets, for an exceptionally clean bowl

#### Accessories Included

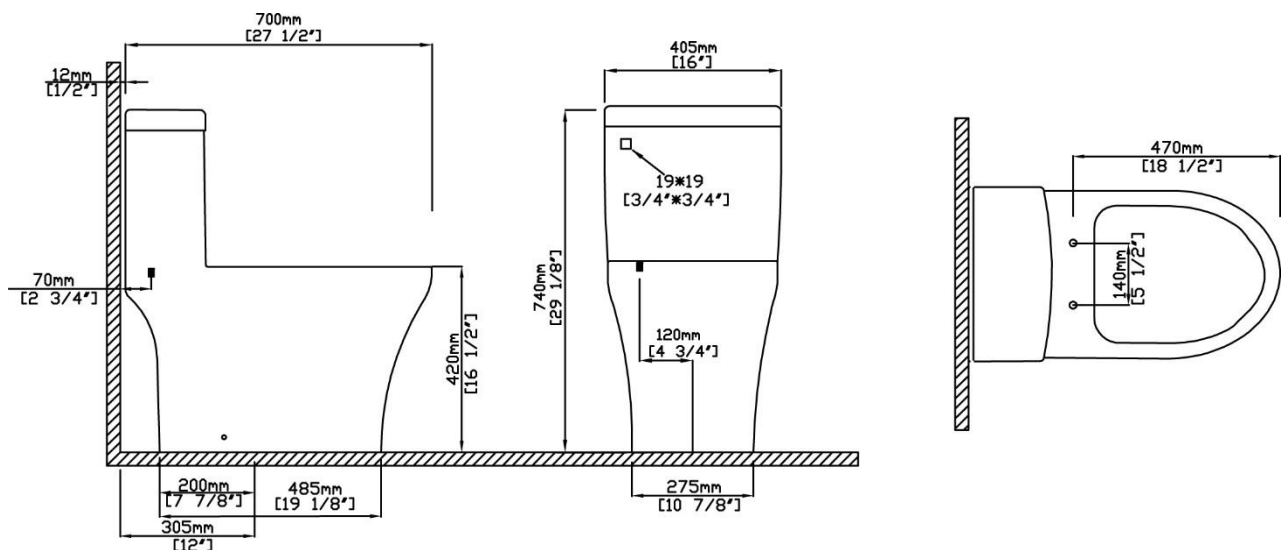
- Toilet seat and cover, with slow-close hinges
- Solid metal trip lever

#### Quality Assurance

- Factory flush-tested
- Limited lifetime product warranty



#### Dimensional Diagram



**IMPORTANT:** Dimensions are nominal and may vary within the range of tolerance per by NSI Standard A112.19.2. These measurements are subject to change. No responsibility is assumed for use of superseded or voided pages.

PRODUCT OPTIONS & PARTS

Glaze Colors

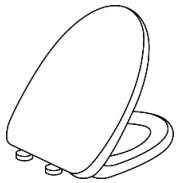


**.01** White



**.06** Biscuit

Toilet Seats



**S-232** (Standard)

Tank Levers & Available Finishes



**F-73**

- |                               |                            |
|-------------------------------|----------------------------|
| <b>.500</b> Chrome (Standard) | <b>.504</b> Polished Brass |
| <b>.502</b> Polished Nickel   | <b>.01</b> White Enamel    |
| <b>.503</b> Satin Nickel      |                            |



**.500**  
Polished Chrome



**.502**  
Polished Nickel



**.503**  
Satin Nickel



**.504**  
Polished Brass



**.01**  
White Enamel

Valve & Installation Parts

Fill Valve	Flush Valve	Flapper	Mounting Bolts
VL-3801	VH-4801.15	9400.516	MB-200

Compliance Certifications

Meets or exceeds the following specifications:

- ASME A112.19.2M
- CSA B45.1



Meets the Americans With Disabilities Act guidelines and ANSI A117.1 requirements for accessible building facilities. Check local codes.