

KARO

One-Piece Toilet

C-2640

Product Features

- Vitreous china one-piece toilet, with skirted trapway
- Chair-height (16-1/2"), elongated bowl
- MicroGlaze™ anti-microbial, non-staining glaze
- 12" (305 mm) rough-in

EcoQUATTRO™ Flushing System

- High-performance, gravity flush
- 1.28 gallons (4.8 liters) per flush – EPA WaterSense, high-efficiency toilet (HET)
- Fully-glazed, 2-1/8" internal trapway
- Oversized 3" flush valve
- Large 9" x 7" water surface area and optimized rim jets, for an exceptionally clean bowl

Accessories Included

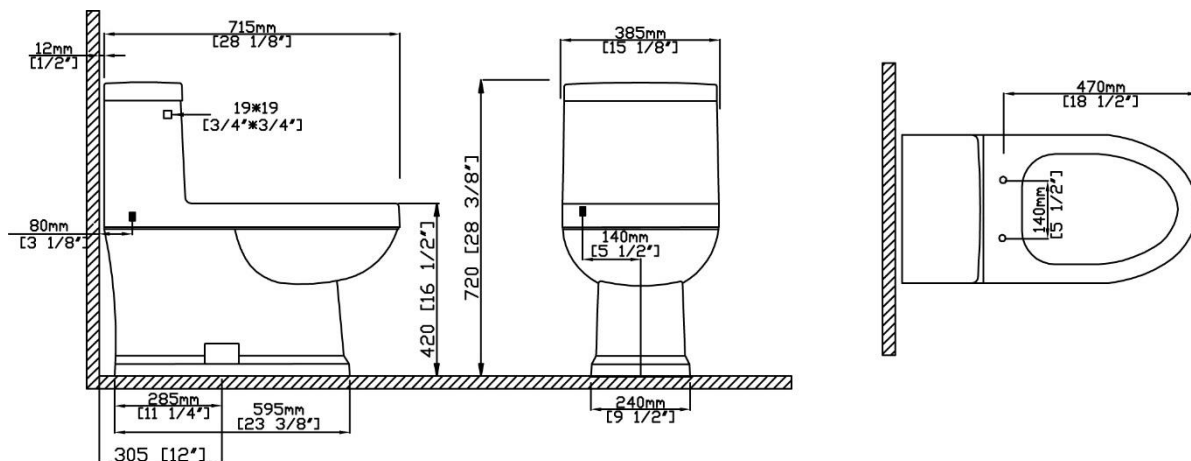
- Toilet seat and cover, with slow-close hinges
- Solid metal trip lever

Quality Assurance

- Factory flush-tested
- Limited lifetime product warranty



Dimensional Diagram



IMPORTANT: Dimensions are nominal and may vary within the range of tolerance per by NSI Standard A112.19.2. These measurements are subject to change. No responsibility is assumed for use of superseded or voided pages.

PRODUCT OPTIONS & PARTS

Glaze Colors



.01 White



.06 Biscuit



.05 Black

Toilet Seats



S-232 (Standard)

Tank Levers & Available Finishes



F-74 (Standard)



F-75

.500 Chrome (Standard)
.502 Polished Nickel
.503 Satin Nickel

.504 Polished Brass
.01 White Enamel

.500 Chrome (Standard)
.502 Polished Nickel
.503 Satin Nickel

.504 Polished Brass
.01 White Enamel



.500
Polished Chrome



.502
Polished Nickel



.503
Satin Nickel



.504
Polished Brass



.01
White Enamel

Valve & Installation Parts

Fill Valve

VL-3801

Flush Valve

VH-4801.15

Flapper

9400.516

Mounting Bolts

MB-111

Compliance Certifications

Meets or exceeds the following specifications:

- ASME A112.19.2M
- CSA B45.1



Meets the Americans With Disabilities Act guidelines and ANSI A117.1 requirements for accessible building facilities. Check local codes.