

**BARRYMORE**

**Two-Piece Toilet, EL**

6171.128 Bowl, 6171.028 Tank

**Product Features**

- Vitreous china two-piece toilet
- Chair-height (16-1/2"), elongated bowl
- MicroGlaze™ anti-microbial, non-staining glaze
- 12" (305 mm) rough-in

**EcoQUATTRO™ Flushing System**

- High-performance, gravity flush
- 1.28 gallons (4.8 liters) per flush – EPA WaterSense, high-efficiency toilet (HET)
- Fully-glazed, 2-1/8" internal trapway
- Oversized 3" flush valve
- Large 9" x 7" water surface area and optimized rim jets, for an exceptionally clean bowl

**Accessories Included**

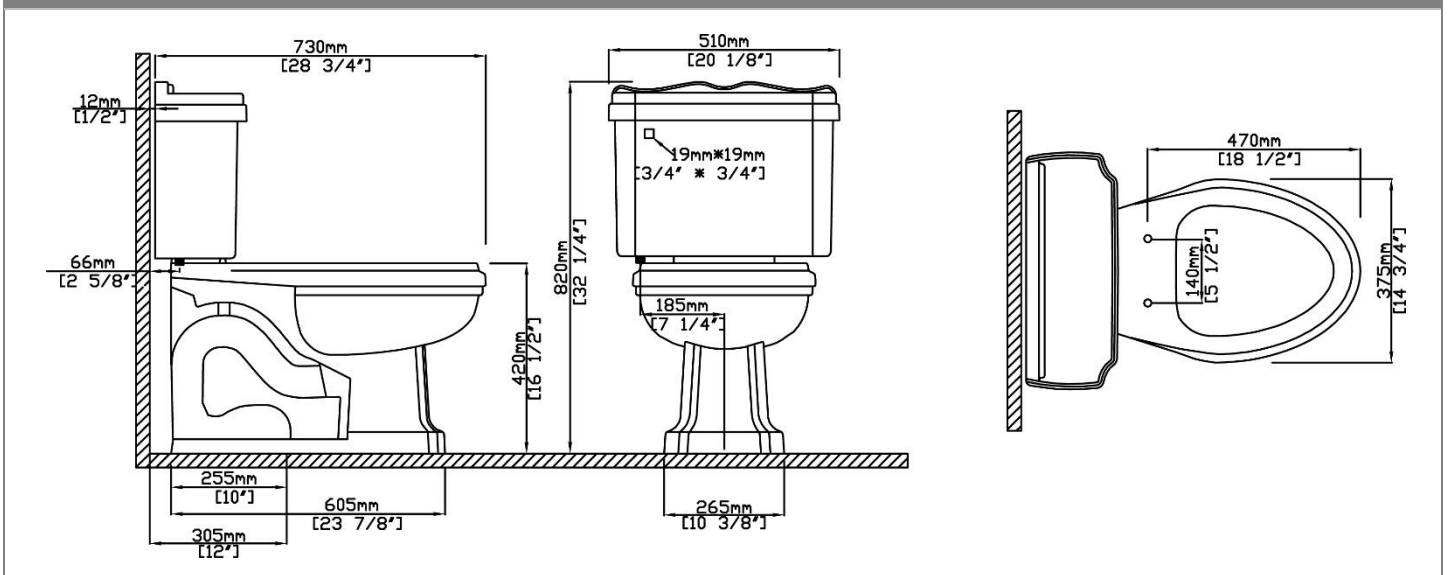
- Toilet seat and cover, with slow-close hinges
- Solid metal trip lever

**Quality Assurance**

- Factory flush-tested
- Limited lifetime product warranty



**Dimensional Diagram**



**IMPORTANT:** Dimensions are nominal and may vary within the range of tolerance per by NSI Standard A112.19.2. These measurements are subject to change. No responsibility is assumed for use of superseded or voided pages.

PRODUCT OPTIONS & PARTS

Glaze Colors

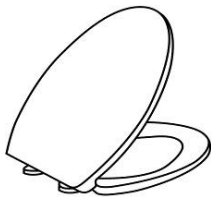


.01 White

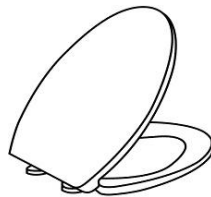


.06 Biscuit

Toilet Seats



S-242 (Standard)



S-241

Tank Levers & Available Finishes



F-65 (Standard)



F-63



F-66

.500 Chrome (Standard)  
.502 Polished Nickel  
.503 Satin Nickel

.504 Polished Brass  
.508 Venetian Bronze  
.01 White Enamel

.500 Chrome (Standard)  
.502 Polished Nickel  
.503 Satin Nickel

.504 Polished Brass  
.508 Venetian Bronze  
.01 White Enamel

.500 Chrome (Standard)



.500  
Polished Chrome



.502  
Polished Nickel



.503  
Satin Nickel



.504  
Polished Brass



.508  
Venetian Bronze



.01  
White Enamel

Valve & Installation Parts

Fill Valve

Flush Valve

Flapper

Tank-to-Bowl Kit

Mounting Bolts

VL-3802

VL-3802

9400.516.00

9400.510.00

MB-111

Compliance Certifications

Meets or exceeds the following specifications:

- ASME A112.19.2M
- CSA B45.1



Meets the Americans With Disabilities Act guidelines and ANSI A117.1 requirements for accessible building facilities. Check local codes.