

MIRO

Box 80 Vessel Sink

1380.200

Product Features

- Fine Italian fire-clay
- Vessel sink
- No faucet holes
- *Note:* faucetry is not included

Quality Assurance

- Limited lifetime product warranty

Nominal Dimensions

- Inner dimension: 31-1/4" x 14-5/8" x 4-1/4"
- Outer dimension: 31-1/2" x 14-7/8" x 5"

Compliance Certifications

meets or exceeds the following specifications:

- ASME A112.19.2M
- CSA B45.1

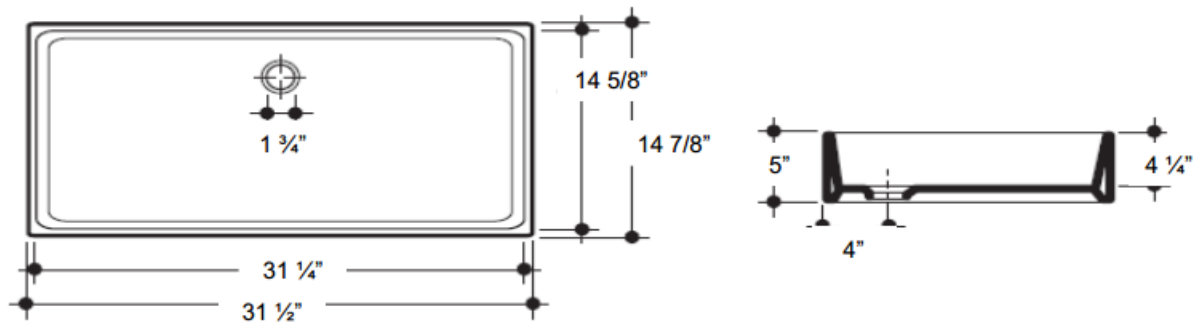


Glaze Color Options



.01 White

Dimensional Diagram



IMPORTANT: Dimensions are nominal and may vary within the range of tolerance per by NSI Standard A112.19.2. These measurements are subject to change. No responsibility is assumed for use of superseded or voided pages.