

**VANIER**

**Drop-In Sink**

1340.000

**Product Features**

- Vitreous china
- Drop-in sink with overflow
- No faucet holes
- MicroGlaze™ anti-microbial porcelain glaze
- *Note:* faucetry is not included

**Quality Assurance**

- Limited lifetime product warranty

**Nominal Dimensions**

- Inner dimension: 18-7/8" x 14-5/8"
- Outer dimension: 22-5/8" x 18 1/4"

**Compliance Certifications**

*meets or exceeds the following specifications:*

- ASME A112.19.2M
- CSA B45.1



**Glaze Color Options**

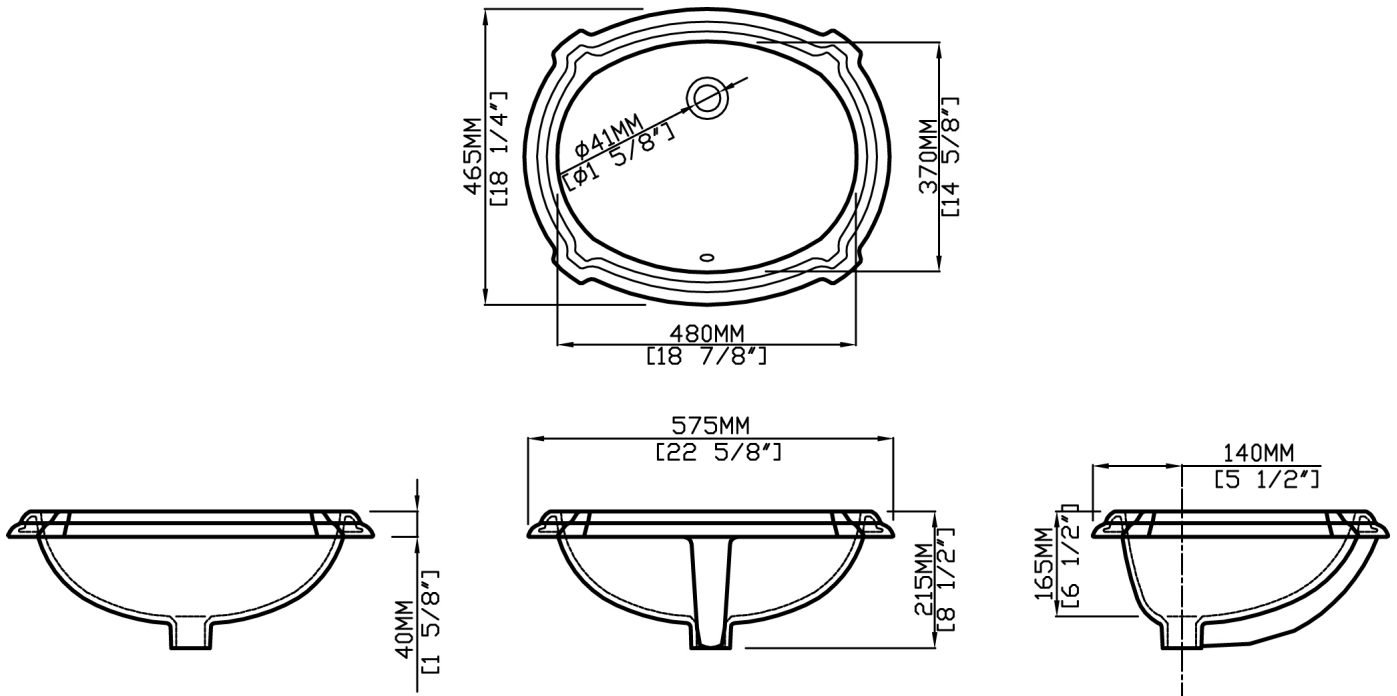


**.01** White



**.06** Biscuit

Dimensional Diagram



**IMPORTANT:** Dimensions are nominal and may vary within the range of tolerance per by NSI Standard A112.19.2. These measurements are subject to change. No responsibility is assumed for use of superseded or voided pages.

Due to such nominal variations with all ceramic products, vanity countertops to be used with ceramic sinks should **only** be cut with the **actual** sink intended for installation, to physically ensure that cut-out dimensions are appropriate and not to scale, and are not suitable for use as a cut-out template. No responsibility is assumed for the use or mis-use of these pages for installation purposes.