

ANTIGUA

Petite Drop-in Sink

1002.000

Product Features

- Vitreous china
- Drop-in sink with overflow
- No faucet holes
- MicroGlaze™ anti-microbial porcelain glaze
- *Note:* faucetry is not included

Quality Assurance

- Limited lifetime product warranty

Nominal Dimensions

- Inner dimension: 15-3/8" x 11-1/4"
- Outer dimension: 17-3/8" x 13-3/8" x 7- 1/2"

Compliance Certifications

meets or exceeds the following specifications:

- ASME A112.19.2M
- CSA B45.1



Glaze Color Options

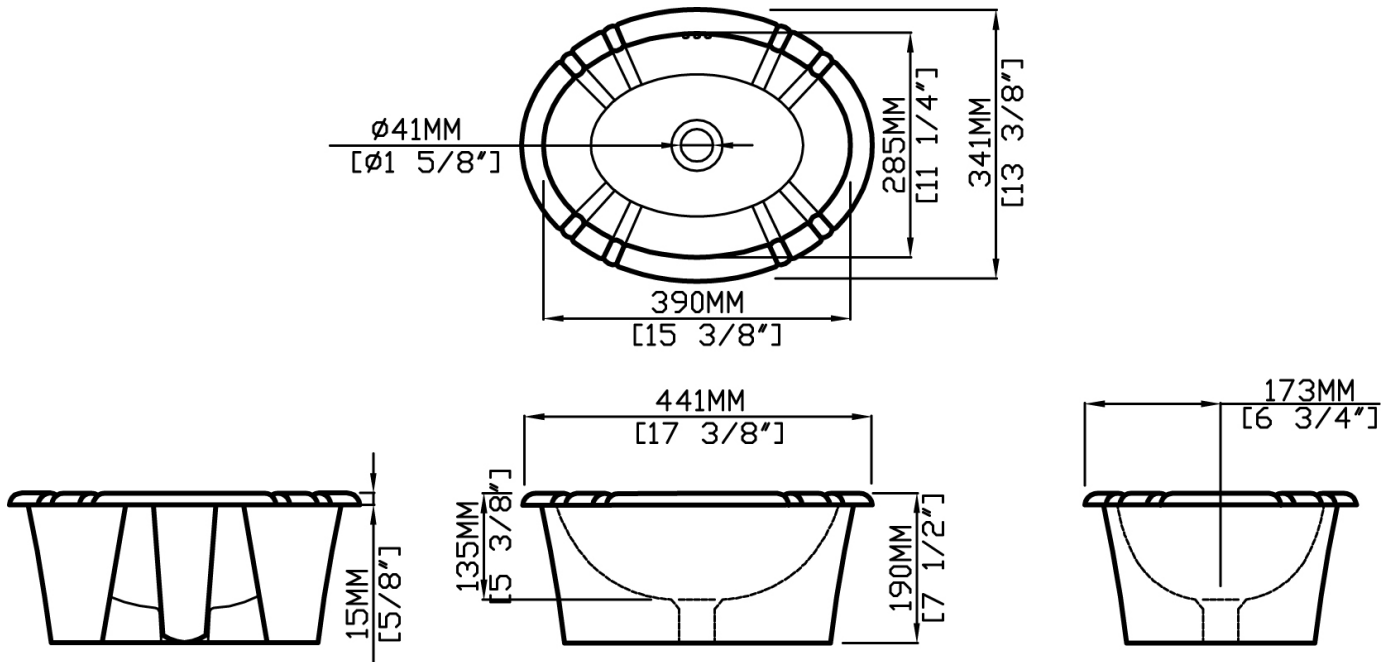


.01 White



.06 Biscuit

Dimensional Diagram



IMPORTANT: Dimensions are nominal and may vary within the range of tolerance per by NSI Standard A112.19.2. These measurements are subject to change. No responsibility is assumed for use of superseded or voided pages.